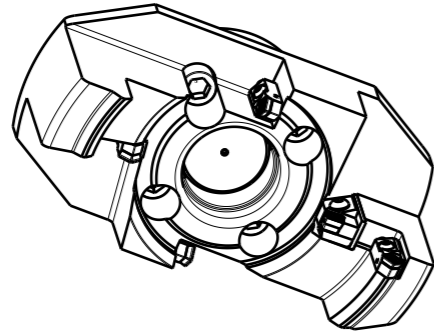


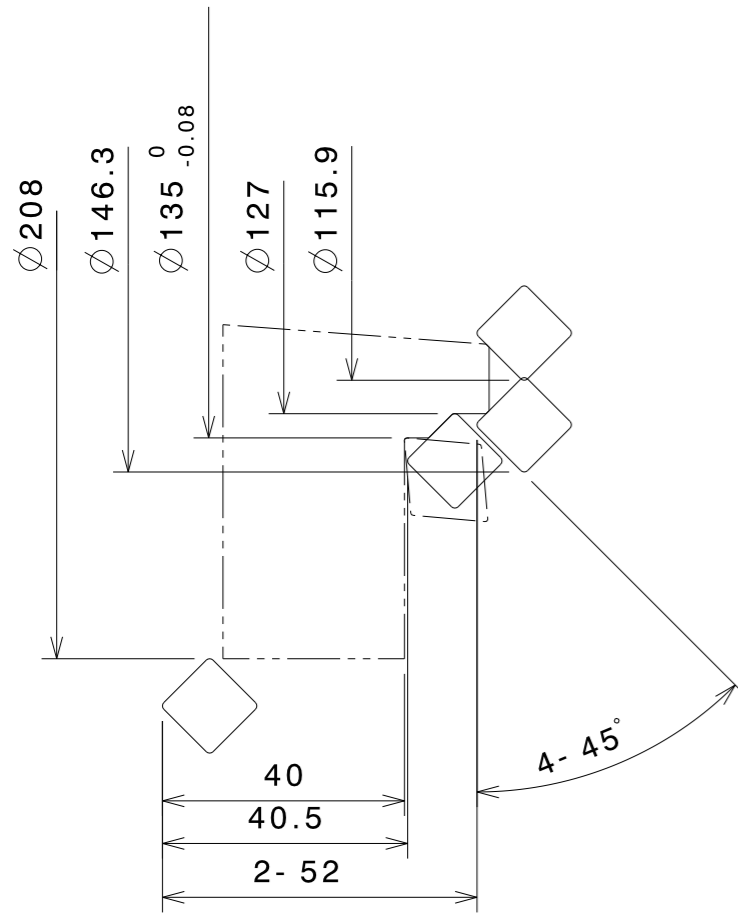
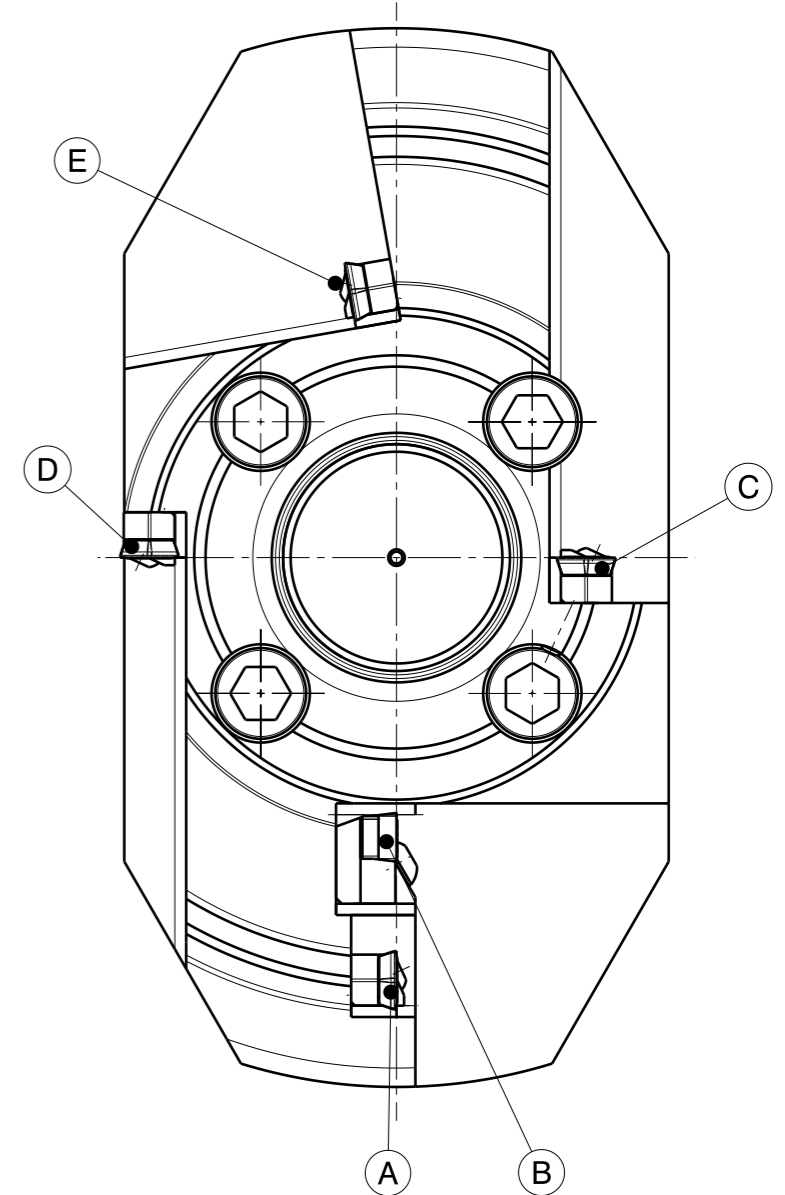
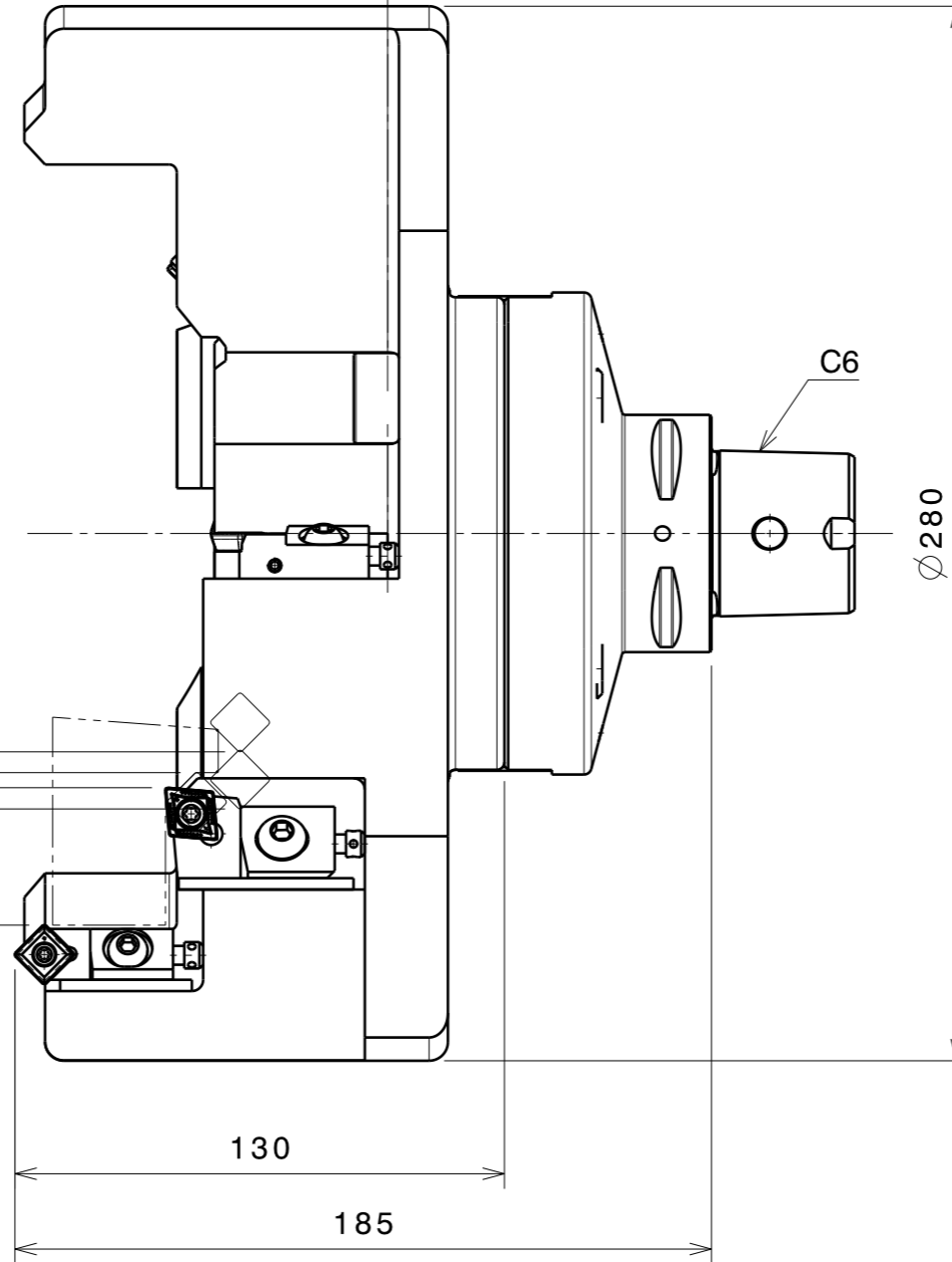
ROUGHNESS

3.2 / ( 0.8 / )

Rev.No.: . Alteration: -- Date: -- Name: --



Isometric view  
Scale: 1:5



Cutting edge detail

REMARKS.

- 1. Total weight : 8.6kg  
(Cutter : 4.4kg, Arbor : 4.2kg)

8	PLATE	5	...	...	...	3T
7	INSERT	4	...	...	...	SPGG 110408
6	CARTRIDGE	3	...	...	Special	SSSPL 12CA-11-RU
5	CARTRIDGE	1	...	...	Special	SSSPR 12CA-11-RU
4	INSERT	1	...	...	...	CCGT 120404
3	CARTRIDGE	1	...	...	Special	SCXCL 16CA-12-RU
2	CUTTER	1	...	AL	Special	TRB D208XD135XC-60R-130L
1	ARBOR	1	...	...	Special	C6 FM 60X55

No.	Item / Designation	Qty.	Dwg/Cat.no.	Material	Dimensions	Notes
Unspecified Tolerances	Name	Date	Customer: TAEGUTEC RUSSIA		Russia	
Dim.s:	Draw	--	Designation:			
Angles:	Design	cm_kwak	03/05/10	TRB D208XD135XC-60R-130L AY		Dwg.No. 20019698-AP
	Check	dw_bae	03/05/10	Description: Boring Tool		Page 1
	Appr.	sh_lee	03/05/10	Quotation		Rev. No. 0
Scale: 2:5				Material : Aluminium		Reg.No. 9000801
				75253121		

Copyright © this Drawing & Design is Confidential Property of TaeguTec Ltd. Taegu Korea and no part of it may be reproduced or conveyed otherwise without documented consent of TaeguTec Ltd. A3L

**APPROVAL**

PLEASE APPROVE THIS DRAWING.  
PRODUCTION WILL BEGIN UPON RECEIPT.

SIGNED BY :  
DATE :